



Where to Buy : Replacement Parts : Contact Us : About Warn : Careers :



- [BROWSE BY APPLICATION](#)
- [WINCHES](#)
- [HOISTS](#)
- [WINCH ACCESSORIES](#)
- [MOUNTING SYSTEMS](#)
- [BUMPERS](#)
- [OFF-ROAD LIGHTS](#)
- [BODY ARMOR](#)
- [PLOW SYSTEMS](#)
- [4WD HUBS](#)
- [4X FENDER FLARES](#)
- [APPAREL](#)

:: QUICK LINKS ::

- [WHERE TO BUY](#)
- [FIND PRODUCTS BY VEHICLE](#)
- [CONTACT US](#)
- [CAREER OPPORTUNITIES](#)
- [BECOME AN AUTHORIZED RETAILER](#)

Utility Winches: 1700 DC



WARN 1700 DC Light-Duty Trailer and Utility Winch

The WARN 1700 DC may be a small winch, but it's one big value when you consider the reliability and the overall quality. Built to handle lighter loads (to 1,700 lbs.), this winch is overflowing with upgraded features, including a hand-held remote to control power-in/power-out functions and tie rods for added stability.

1700 DC SPECS

Part Number: 91700

Capacity: 1,700 lbs. (772 kgs)

Switch Type: Remote Control

Motor: Permanent Magnet

HP: 1.6 hp 3.0" Diameter

Power: 12V DC

Gear Train: Split Ring Gear

Gear Ratio: 153:1

Clutch: Knob-Pull and turn

Brake: Self-locking gear train (Rated Load Holding)

Wire Rope: 3/16" X 35' (10.7 m)

Warranty: 1 year limited

Fairlead: Hawse

Hole Pattern: 2 Holes on 3.1" (7.87 cm) center

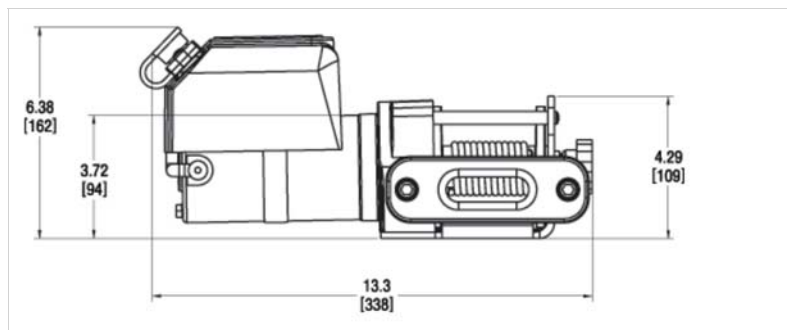
Electrical Leads: 2-6' (1.8 m)

Weight: 18 lbs. (8.2kg)

Replacement Wire Rope: PN 79835

12V DC PERFORMANCE SPECS (first layer of drum)

Line Pull Lbs. (Kgs.)	Line Speed Ft./min. (M/min.)	Motor Current
0(0)	7.2(2.2)	6.7 Amps
500(227)	6.8(2.0)	24.1 Amps
1000(454)	5.7(1.7)	44.7 Amps
1500(680)	4.8(1.4)	72.0 Amps
1700(772)	4.3(1.3)	83.1 Amps



Replacement Parts

[1700 DC Operator's Manual](#)

[Lifting vs Pulling](#)

Recommended Accessories for this Product:



Hitch Adaptor



Portable Anchor Plate



Winch Rigging Kit

APPLICATIONS

Truck/Jeep Off-Road
Powersports Off-Road
Hunting & Outdoors
Adventure Touring/Motorcycle
Utility & Construction
Tow Trucks
Fire & Rescue
Original Equipment Manufacturer

RESOURCES

Authorized Service Centers
Product Literature
Product Registration
Warranty Statements
Sponsorship/Donation Requests
Newsletter
Site Map

COMPANY

About Warn
History
Quality and Environmental Policy
Code of Business Conduct & Ethics
Career Opportunities
Press Releases
Recalls/Safety Notifications
Transparency in Supply Chains Disclosure

PARTNERS

Become an Authorized
Retailer
Partners Site
Red Letter Dealer Program
Merchandising Items

Copyright Warn Industries, Inc All rights reserved. Legal Statement
Warn Industries, Inc. standard purchase order Terms and Conditions